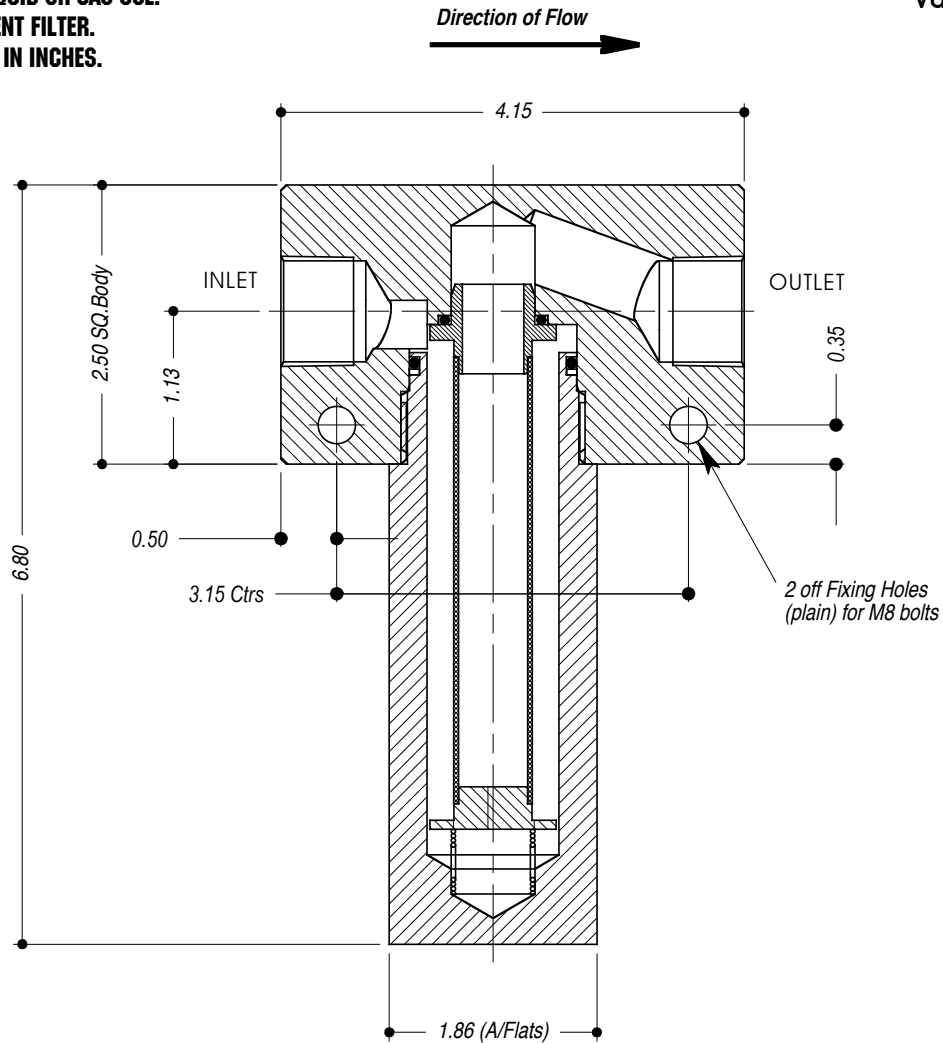


"IN-LINE" FILTER TYPE: EF100, EF100/75



- STAINLESS STEEL (316 / 1.4404)
- SUITABLE FOR LIQUID OR GAS USE.
- EASY REPLACEMENT FILTER.
- ALL DIMENSIONS IN INCHES.



TECHNICAL SPECIFICATION			ORDERING EXAMPLE
Filter Type:	EF100	EF100/75	EF100
Porting / Connection Options:	P = BSP (Parallel) N = NPT (Taper)		P
Micron Rating:	2.5, 5, 10, 20, 50, 100, 200 M (Microns)		2.5 M
Max. Working Pressure - Liquid	8,000 psi		8K
Max. Working Pressure - Gas	4,000 psi		
Port Size:	1.0"	3/4"	
Seal Material:	Viton (other materials available by request)		
Dry Weight (kg)	5.5		
Working Temperature Range:	-10°C to +120°C		
Filter Area (sq.ins)	7.4		
Filter Element Material:	Stainless Steel (316/1.4404) Rigid Mesh		
Max Diff. Press (DP) Bar (element)	10		