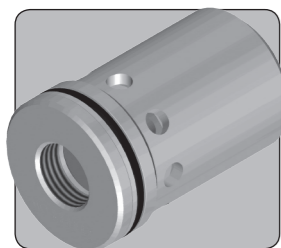


# CC100 CHECK VALVE

1"

UP TO 414 BAR 6,000 PSI



The CC100 is a 1" nominal bore cartridge check valve. It will allow flow in one direction, and blocks flow in the opposite direction. It may also be referred to as a non-return valve.

The valve uses sealed poppet technology to give virtually zero leakage with liquids and gases.

- Check or Non-Return valve
- Cartridge design ideal for installation in manifold systems
- Internally threaded for easy extraction
- Stainless steel construction
- Sealed poppet design
- Virtually zero leakage
- Suitable for liquid or gas
- Suitable for use with air, nitrogen, sweet natural gas, mineral oils, water glycols, water and sea water
- Suitable for many other media, contact us for advice
- Various seal options available

## Specifications

**BASIC MODEL NUMBER**

**CC100**

**SYMBOL**



**MAX WORKING PRESSURE (LIQUID)**

414 bar  
(6,000 psi)

**MAX WORKING PRESSURE (GAS)**

241 bar  
(3,500 psi)

**CV (FLOW CAPACITY)**

5.7

**FLUID**

Liquids and Gases  
See materials section

**TEMPERATURE RANGE**

See Product Selector opposite  
and Technical Data section

**NOMINAL SIZE**

1"

**CRACKING PRESSURE**

0.2 - 0.4 bar  
(3 - 7 psi)

**WEIGHT**

0.4 kg  
(0.9 lb)

Specifications may change without notice

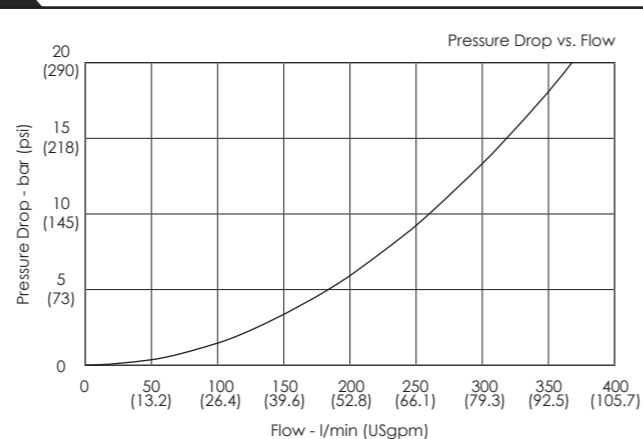
## Materials

316 stainless steel with 302 stainless steel spring, and acetal. The spring is inconel for SWD variants.

The standard valve is designed for use with air, nitrogen, sweet natural gas, mineral oil, water glycols and plain water, and may also be used with a wide variety of media compatible with the materials of construction.

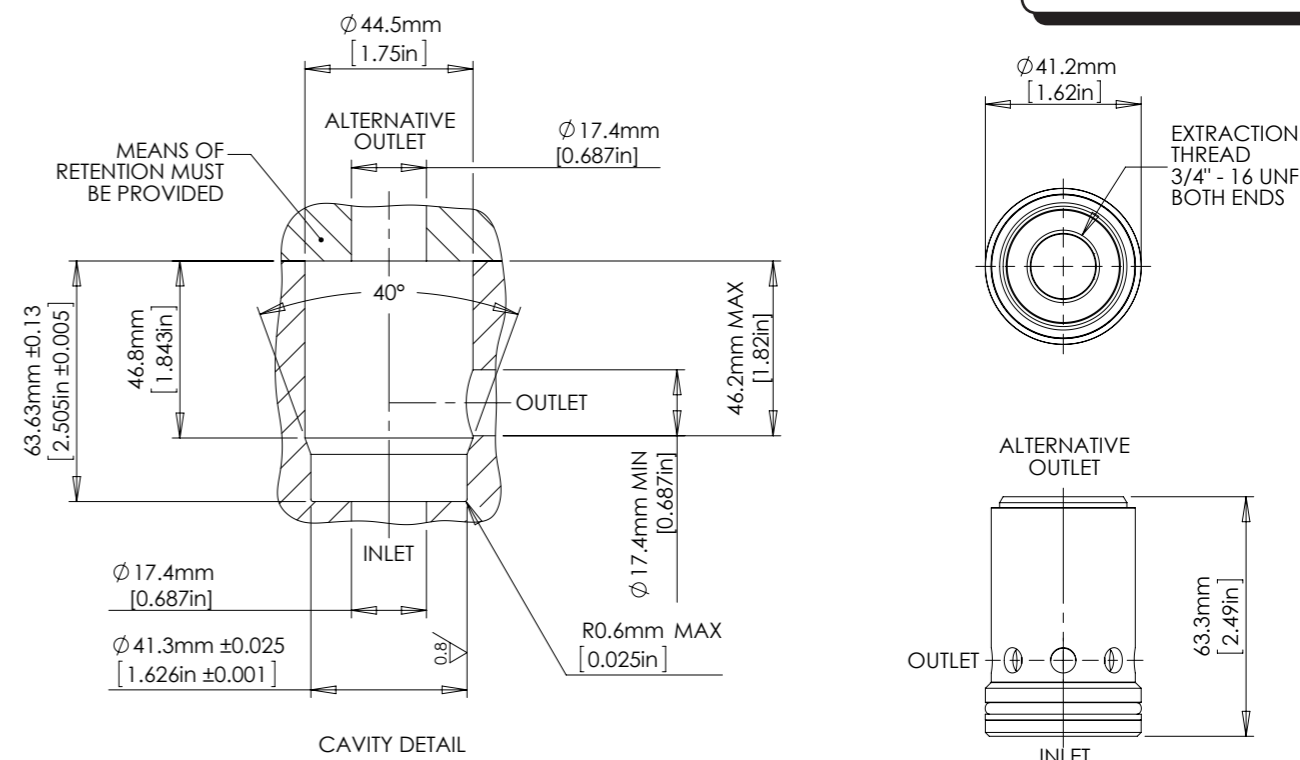
⚠ The standard valve has Viton® seals. Further seal options are available via the Product Selector. Compatibility with the working fluid at the operating temperature must be considered.

## Typical Performance



Typical performance based on water

## Installation Diagram



NOTE: CONTACT BIS FOR DETAILS OF CAVITY WITH THREADED PLUG RETENTION.

## Product Selector

### CC100 - NBR - SWD - 6K

VALVE TYPE	SEAL OPTIONS	VALVE OPTIONS	MAX WORKING PRESSURE
CC100	<p>Leave blank for Viton® seals -10°C to +120°C</p> <p><b>NBR</b> Nitrile seals -30°C to +105°C</p> <p><b>EP</b> EPDM seals -45°C to +120°C</p> <p><b>KLZ</b> Kalrez® seals -25°C to +120°C</p> <p><b>HNBR</b> Hydrogenated Nitrile seals -20°C to +120°C</p> <p>Further seal options are available on request</p>	<p>Leave blank if not required</p> <p><b>SWD</b> Materials compatible with sea water</p>	<p><b>6K</b> 414 bar (6,000 psi) Liquid</p> <p>241 bar (3,500 psi) Gas</p> <p><i>The maximum working pressure of an installed valve is dependent on the housing design. Contact us for advice if in doubt regarding the suitability of any housing design.</i></p>

These valves are not internally serviceable. Seal kits containing external seals are available on request. For a seal kit add SK at the end of the model code



Catalogue also available on digital media  
Visit our website for a full online search facility  
[www.bisvalves.co.uk](http://www.bisvalves.co.uk)



**BS VALVES**  
The Specifier's Catalogue

SOLENOID  
STOP AND METERING  
3 PORT DIRECTIONAL CONTROL  
4 PORT DIRECTIONAL CONTROL  
CHECK AND SHUTTLE  
PILOT OPERATED CHECK  
RELIEF  
EXCESS FLOW  
FILTERS  
PRESSURE SENSING  
PUMPS  
ACTUATORS  
TECHNICAL DATA