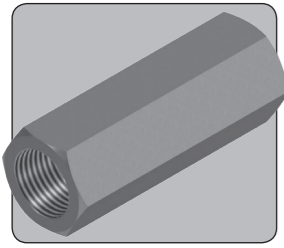


# C37 CHECK VALVE

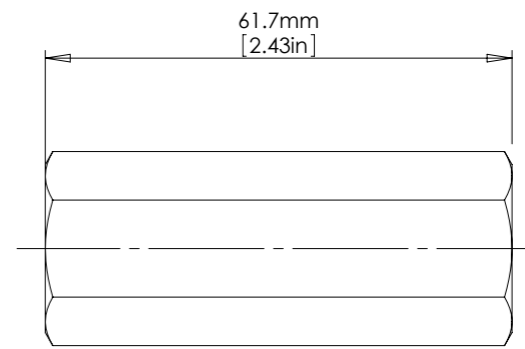
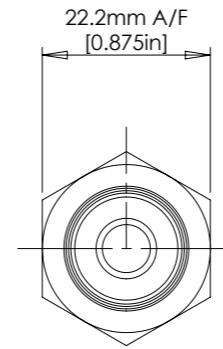
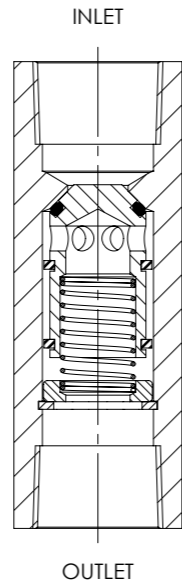
**3/8" UP TO 621 BAR 9,000 PSI**



The C37 is a 3/8" nominal bore check valve. It will allow flow in one direction, and blocks flow in the opposite direction. It may also be referred to as a non-return valve.

The valve uses sealed poppet technology to give virtually zero leakage with liquids and gases.

- Check or Non-Return valve
- Stainless steel construction
- Sealed poppet design
- Virtually zero leakage
- Cost effective one piece body design
- Can be used subsea
- Suitable for liquid or gas
- Suitable for use with air, nitrogen, sweet natural gas, mineral oils and water glycols
- Various seal options available
- Various porting options available



## Specifications

**BASIC MODEL NUMBER**

**C37**

**SYMBOL**



**MAX WORKING PRESSURE (LIQUID)**

621 bar  
(9,000 psi)

**MAX WORKING PRESSURE (GAS)**

241 bar  
(3,500 psi)

**CV (FLOW CAPACITY)**

1.3

**FLUID**

Liquids and Gases  
*See materials section*

**TEMPERATURE RANGE**

*See Product Selector opposite and Technical Data section*

**PORT SIZE**

3/8"

**CRACKING PRESSURE**

0.1 - 0.3 bar  
(2 - 5 psi)

**WEIGHT**

0.15 kg  
(0.3 lb)

*Specifications may change without notice*

## Materials

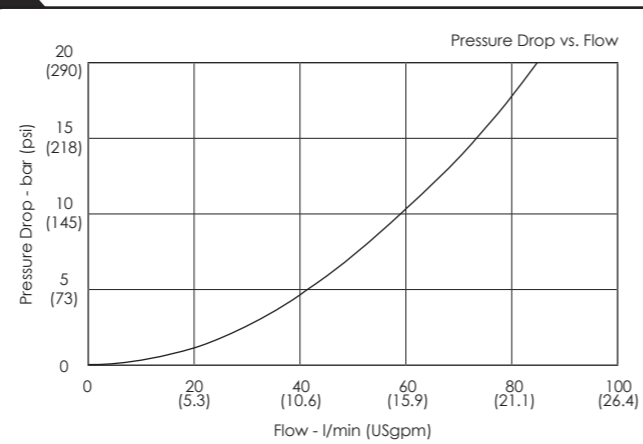
Externally Exposed Parts: 316 stainless steel.

Internally Wetted Parts: 316, 302 and 420 stainless steel and acetal.

The standard valve is designed for use with air, nitrogen, sweet natural gas, mineral oil and water glycols and may also be used with a wide variety of media compatible with the materials of construction.

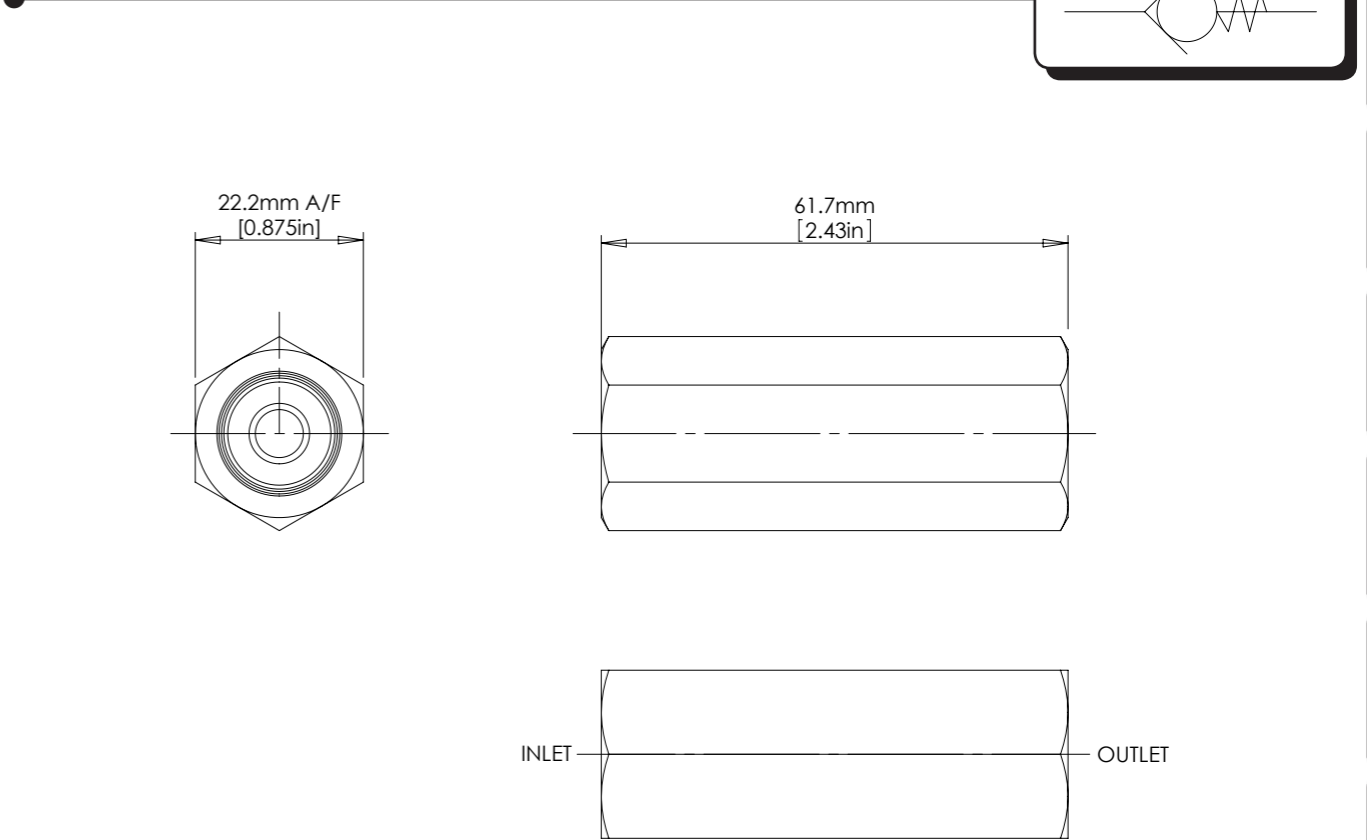
**!** The standard valve has Viton® seals. Further seal options are available via the Product Selector. Compatibility with the working fluid at the operating temperature must be considered.

## Typical Performance



Typical performance based on water glycol

## Installation Diagram



## Product Selector

**C37 P - NBR - 9K**

VALVE TYPE	PORTING OPTIONS	SEAL OPTIONS	MAX WORKING PRESSURE
<b>C37</b>	<p><b>P</b> 3/8" BSPP female</p> <p><b>N</b> 3/8" NPT female</p>	<p>Leave blank for Viton® seals -10°C to +120°C</p> <p><b>NBR</b> Nitrile seals -30°C to +105°C</p> <p><b>EP</b> EPDM seals -45°C to +120°C</p> <p><b>KLZ</b> Kalrez® seals -25°C to +120°C</p> <p><b>HNBR</b> Hydrogenated Nitrile seals -20°C to +120°C</p> <p><i>Further seal options are available on request</i></p>	<p><b>9K</b> 621 bar (9,000 psi) Liquid</p> <p>241 bar (3,500 psi) Gas</p>

*Repair and seal kits are available on request*

*For a seal kit add SK at the end of the model code and for a repair kit add RK*



SOLENOID  
STOP AND METERING  
3 PORT DIRECTIONAL CONTROL  
4 PORT DIRECTIONAL CONTROL  
CHECK AND SHUTTLE  
PILOT OPERATED CHECK  
RELIEF  
EXCESS FLOW  
FILTERS  
PRESSURE SENSING  
PUMPS  
ACTUATORS  
TECHNICAL DATA