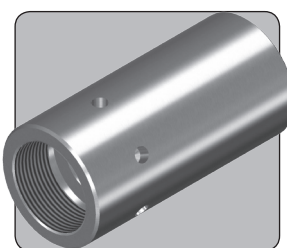


C150

CHECK VALVE

1 1/2" UP TO 414 BAR 6,000 PSI



The C150 is a 1 1/2" nominal bore check valve. It will allow flow in one direction, and blocks flow in the opposite direction. It may also be referred to as a non-return valve.

The valve uses sealed poppet technology to give virtually zero leakage with liquids and gases.

- Check or Non-Return valve
- Stainless steel construction
- Sealed poppet design
- Virtually zero leakage
- Cost effective one piece body design
- Can be used subsea
- Suitable for liquid or gas
- Suitable for use with air, nitrogen, mineral oils, water glycols and plain water
- For Pressure Equipment Directive compliance, always advise us of system medium
- Various seal options available
- Various porting options available

Specifications

BASIC MODEL NUMBER

C150

SYMBOL



MAX WORKING PRESSURE (LIQUID)

414 bar
(6,000 psi)

MAX WORKING PRESSURE (GAS)

241 bar
(3,500 psi)

CV (FLOW CAPACITY)

25.0

FLUID

Liquids and Gases
See materials section

TEMPERATURE RANGE

See Product Selector opposite
and Technical Data section

PORT SIZE

1 1/2"

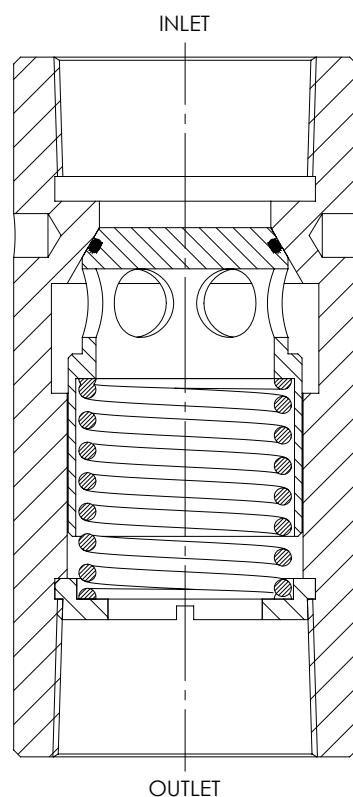
CRACKING PRESSURE

0.1 - 0.3 bar
(2 - 5 psi)

WEIGHT

1.9 kg
(4.2 lb)

Specifications may change without notice



Materials

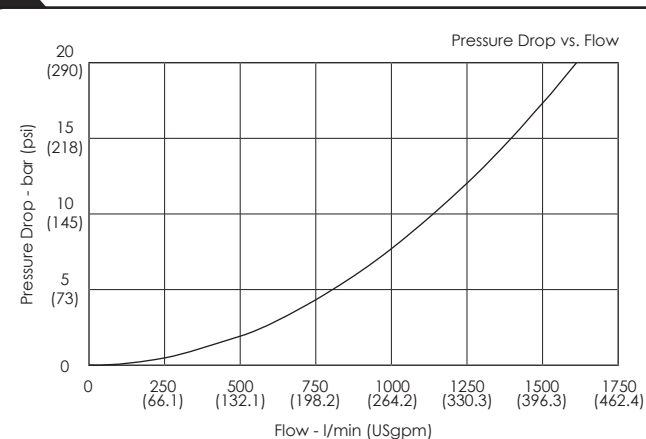
Externally Exposed Parts: 316 stainless steel.

Internally Wetted Parts: 316 and 302 stainless steel.

The standard valve is designed for use with air, nitrogen, mineral oil, water glycols and plain water and may also be used with a wide variety of media compatible with the materials of construction.

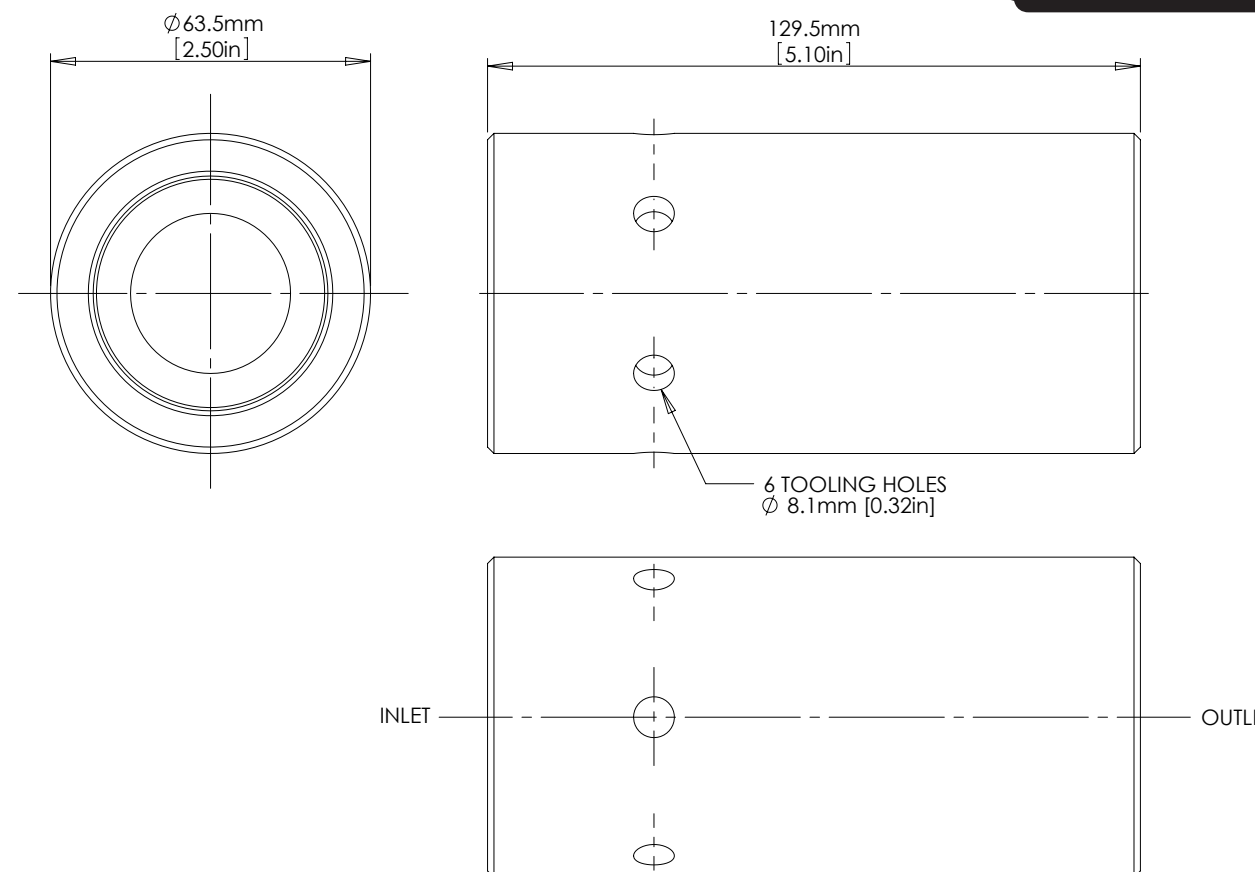
⚠ The standard valve has Viton® seals. Further seal options are available via the Product Selector. Compatibility with the working fluid at the operating temperature must be considered.

Typical Performance



Typical performance based on water

Installation Diagram



Product Selector

C150 P - NBR - 6K

| VALVE TYPE | PORTING OPTIONS | SEAL OPTIONS | MAX WORKING PRESSURE |
|-------------|--|--|--|
| C150 | <p>P 1 1/2" BSPP female</p> <p>N 1 1/2" NPT female</p> | <p>Leave blank for Viton® seals -10°C to +120°C</p> <p>NBR Nitrile seals -30°C to +105°C</p> <p>EP EPDM seals -45°C to +150°C</p> <p>KLZ Kalrez® seals -25°C to +200°C</p> <p>HNBR Hydrogenated Nitrile seals -20°C to +150°C</p> <p>Further seal options are available on request</p> | <p>6K 414 bar (6,000 psi) Liquid</p> <p>241 bar (3,500 psi) Gas</p> |

Repair and seal kits are available on request

For a seal kit add SK at the end of the model code and for a repair kit add RK



SOLENOID
STOP AND METERING
3 PORT DIRECTIONAL CONTROL
4 PORT DIRECTIONAL CONTROL
CHECK AND SHUTTLE
PILOT OPERATED CHECK
RELIEF
EXCESS FLOW
FILTERS
PRESSURE SENSING
PUMPS
ACTUATORS
TECHNICAL DATA