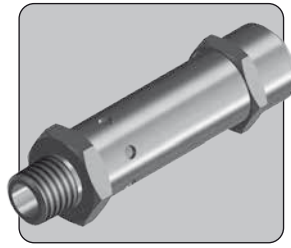


BS37

SAFETY RELIEF VALVE

3/8"

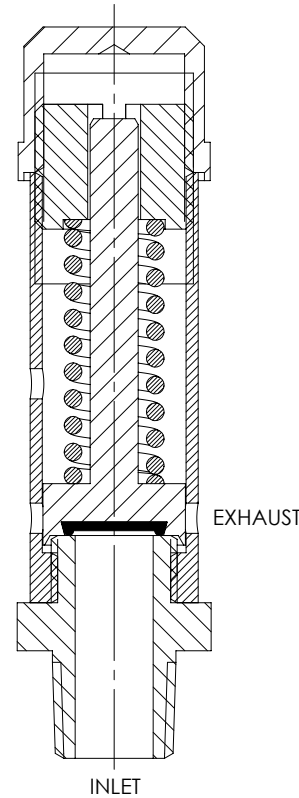
UP TO 40 BAR 580 PSI



The BS37 is a vent to atmosphere safety relief valve. Designed with an elastomeric seat seal the valve combines excellent leakage performance with a high discharge flow capacity from its pop-open characteristic.

The valve is approved as a safety accessory to category IV of the Pressure Equipment Directive, and is manufactured primarily from brass to offer cost effective pressure protection.

- Approved to category IV of the Pressure Equipment Directive (2014/68/EU)
- Pop-open characteristic for maximum discharge capacity
- Vents to atmosphere – no need for exhaust side pipework
- Available preset and internally adjustable. Wire locking and tagging available on request
- Available with relieving gear to enable manual release of pressure
- Virtually zero leakage at 90% of set pressure
- Reseat within the greater of 5 psi or 7.5% of set pressure when valve has opened and not popped
- Reseat within 50% of set pressure once popped
- Repeatability within the greater of 2 psi or ±3% of nominal set pressure

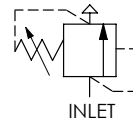


Specifications

BASIC MODEL NUMBER

BS37

SYMBOL



MAX WORKING PRESSURE

40 bar
(580 psi)

ORIFICE SIZE

Ø9.8mm
(Ø0.386")

FLUID

Liquids and Gases
See materials section

TEMPERATURE RANGE

See Product Selector opposite
and Technical Data section

PORT SIZE

3/8"

WEIGHT

0.2 kg
(0.4 lb)

Specifications may change without notice

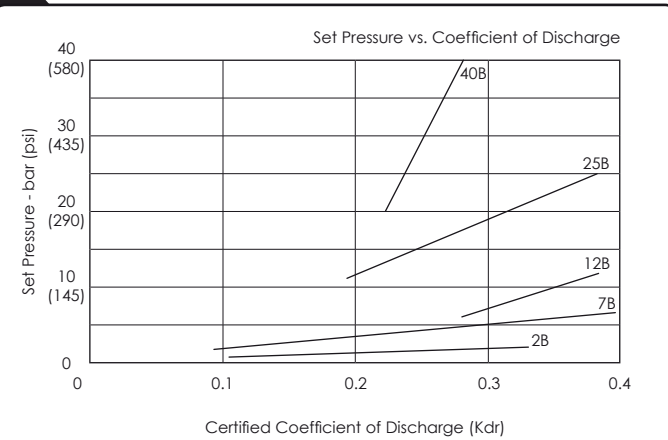
Materials

Externally Exposed and Internally Wetted Parts: Brass, 316 and 302 stainless steel.

The standard valve is designed for use with air and plain water. Note that use with water above 100°C is not recommended. Other media compatible with the materials of construction may be used, although consideration must be given to the safety of such fluids when vented to atmosphere.

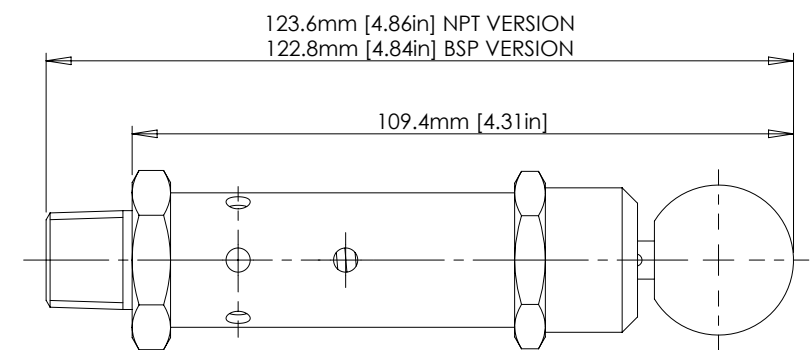
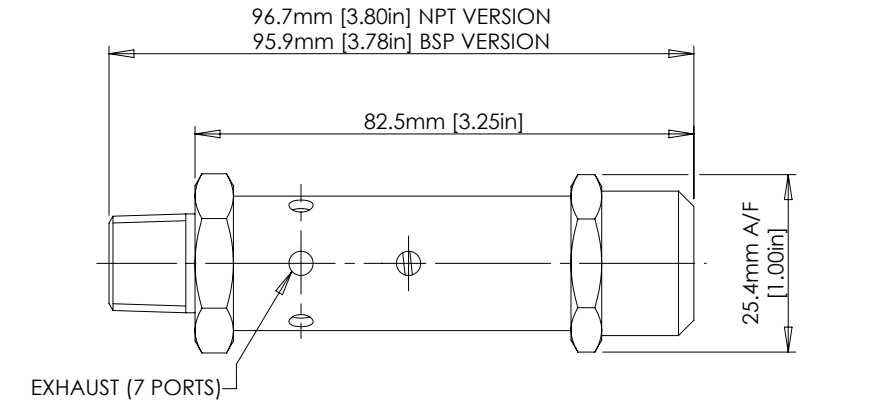
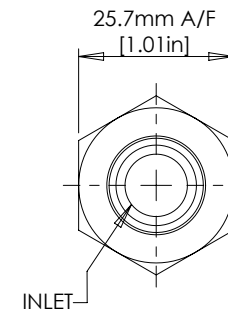
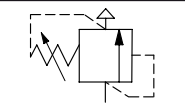
⚠ The standard valve has Viton® seals. Further seal options are available via the Product Selector. Compatibility with the working fluid at the operating temperature must be considered.

Typical Performance



The Kdr value may be used to calculate discharge capacity in accordance with ISO 4126. We recommend contacting us with system details to confirm suitability.

Installation Diagram



RG - RELIEVING GEAR OPTION

Product Selector

BS37 P - RG - EP - 2B

VALVE TYPE	PORTING OPTIONS	VALVE OPTIONS	SEAL OPTIONS	SET PRESSURE RANGE
BS37	P 3/8" BSPP male	RG Relieving gear	EP EPDM seals -45°C to +150°C	2B 0.7 - 2 bar (10 - 29 psi)
	N 3/8" NPT male	⚠ Exposure to high and low fluid temperatures will influence handle temperature. Operator safety must be considered.	NBR Nitrile seals -30°C to +105°C	7B 2 - 7 bar (29 - 102 psi)
		Leave blank if not required	Leave blank for Viton® seals -10°C to +160°C	12B 6 - 12 bar (87 - 174 psi)
		Repair and seal kits are available on request	Further seal options are available on request	25B 11 - 25 bar (160 - 363 psi)
		For a seal kit add SK at the end of the model code and for a repair kit add RK	⚠ The safety of venting high and low temperature fluids to atmosphere must be considered	40B 20 - 40 bar (290 - 580 psi)
				Advise us of set pressure if factory pre-setting is required



CATALOGUE ALSO AVAILABLE ON CD
VISIT OUR WEBSITE FOR A FULL ONLINE SEARCH FACILITY
www.bisvalves.co.uk



BS VALVES
The Specifier's Catalogue

Page ???



SOLENOID
FLOW CONTROL
3 PORT DIRECTIONAL CONTROL
4 PORT DIRECTIONAL CONTROL
CHECK AND SHUTTLE
PILOT OPERATED CHECK
RELIEF
EXCESS FLOW
FILTERS
PRESSURE SENSING
PUMPS
ACTUATORS
TECHNICAL DATA