

-BNV25-TB-

STOP VALVE

1/4" 3/8"

UP TO 862 BAR
12,500 PSI



The BNV25-TB is a 1/4" nominal bore stop valve. It provides tight shut-off when closed via a T-bar handle.

Coarse adjustment allows fast operation. For uni-directional service, the valve is marked with a preferred direction of flow, but the valve may be used with the same functionality in the opposite direction.

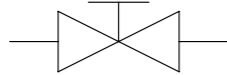
- Manual stop or shut-off valve
- Lockable adjustment
- Panel mount option
- Non-rotating valve stem protects valve seat
- Suitable for uni-directional or bi-directional shut-off
- Stainless steel construction
- Suitable for use with mineral oils, water glycols and plain water
- Compatible with many other media, contact us for advice
- All wetted parts comply with NACE MR01-75
- Various porting options available, including manifold mount and cartridge installation options
- Various seal options available

Specifications

BASIC MODEL NUMBER

BNV25-TB

SYMBOL



MAX WORKING PRESSURE

862 bar
(12,500 psi)

CV (FLOW CAPACITY)

Up to 0.75
See performance graph

FLUID

Liquids only
See materials section

TEMPERATURE RANGE

See Product Selector opposite
and Technical Data section

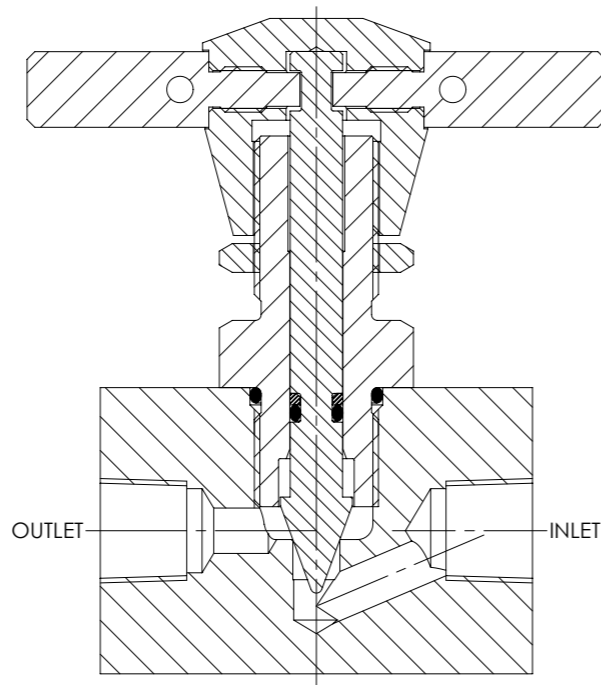
PORT SIZE

1/4" or 3/8"

WEIGHT

PORTED 0.79 kg (1.73 lb)
C 0.23 kg (0.50 lb)
FC 0.48 kg (1.05 lb)

Specifications may change without notice



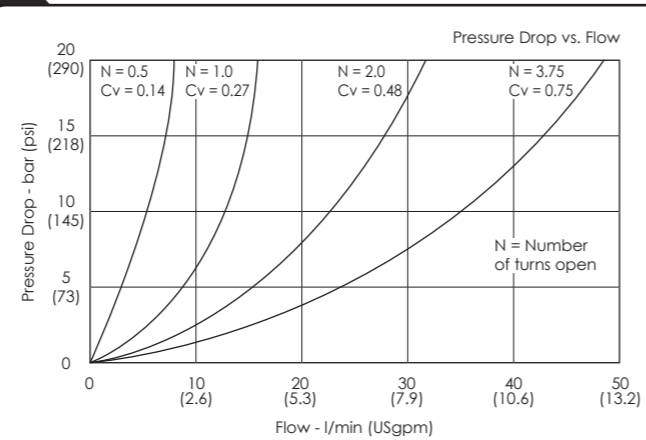
Materials

Externally Exposed Parts: 316 stainless steel and aluminium bronze. Electroless nickel plated bolts for the manifold mount version. Internally Wetted Parts: 316 and 17-4 PH stainless steel and acetal.

The standard valve is designed for use with mineral oil, water glycols and plain water, but may be used with a wide variety of media compatible with the materials of construction. Other material options are available, please contact us for advice.

⚠ The standard valve has Viton® seals. Further seal options are available via the Product Selector. Compatibility with the working fluid at the operating temperature must be considered.

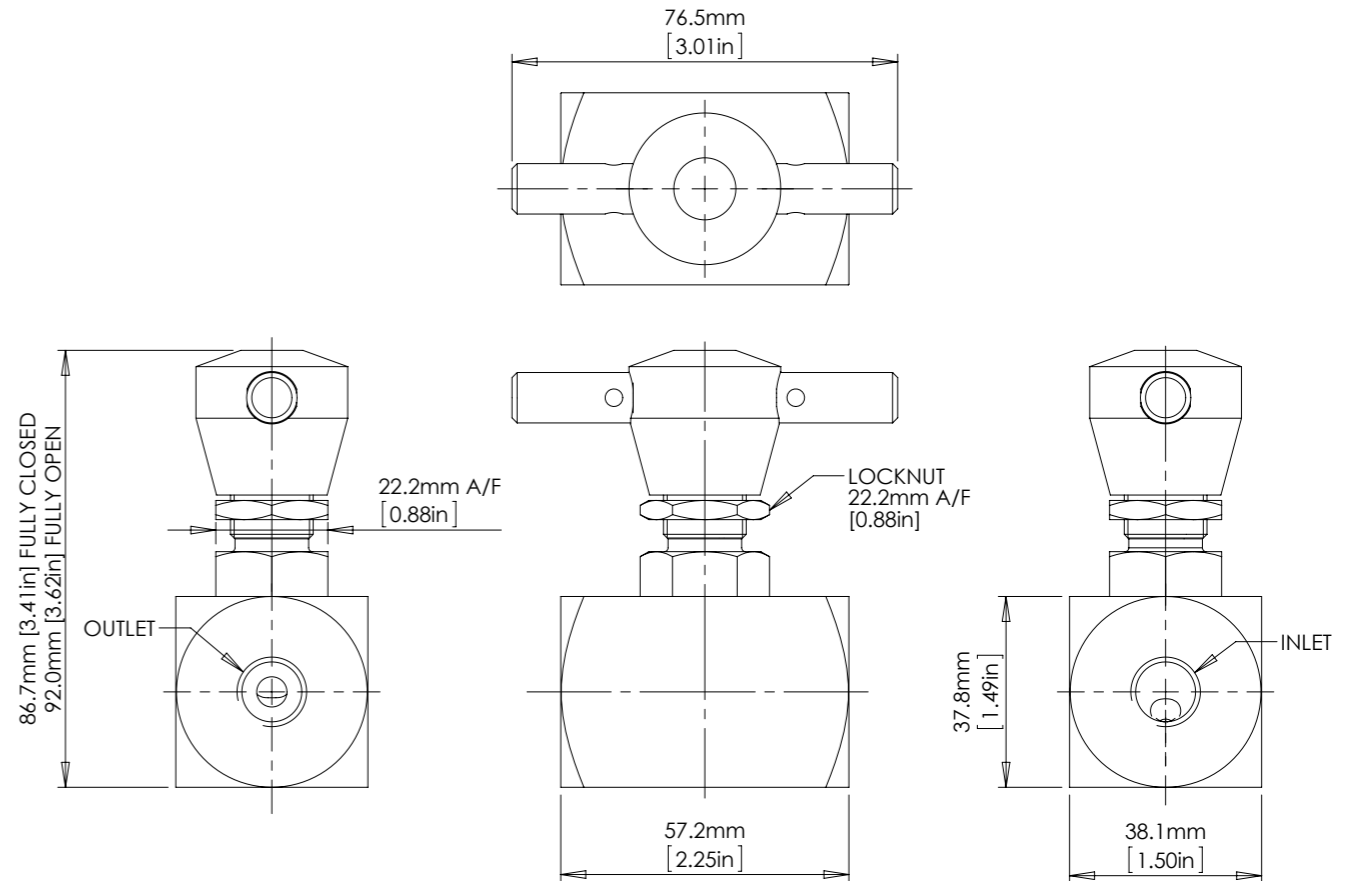
Typical Performance



Typical performance based on water

Installation Diagram

STANDARD VALVE



Product Selector

BNV25 P - TB - PM - NBR - 12.5K

VALVE TYPE	PORTING OPTIONS	HANDLE TYPE	VALVE OPTIONS	SEAL OPTIONS	MAX WORKING PRESSURE
BNV25	P 1/4" BSPP female N 1/4" NPT female /37P 3/8" BSPP female /37N 3/8" NPT female M Manifold mount C Cartridge style Seat in cavity FC Full cartridge Seat in cartridge	TB T-bar handle <small>TB option must be selected</small>	PM Panel mounted <small>Leave blank if not required</small> Not available for manifold or cartridge versions	NBR Nitrile seals -10°C to +120°C EP EPDM seals -45°C to +120°C KLZ Kalrez® seals -25°C to +120°C HNBR Hydrogenated Nitrile seals -20°C to +120°C <small>Further seal options are available on request</small> ⚠ Exposure to high and low fluid temperatures will influence handle temperature. Operator safety must be considered.	12.5K 862 bar (12,500 psi) Liquid



Catalogue also available on digital media
Visit our website for a full online search facility
www.bisvalves.co.uk

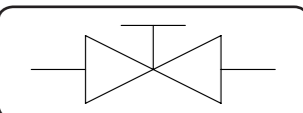


BS VALVES
The Specifier's Catalogue

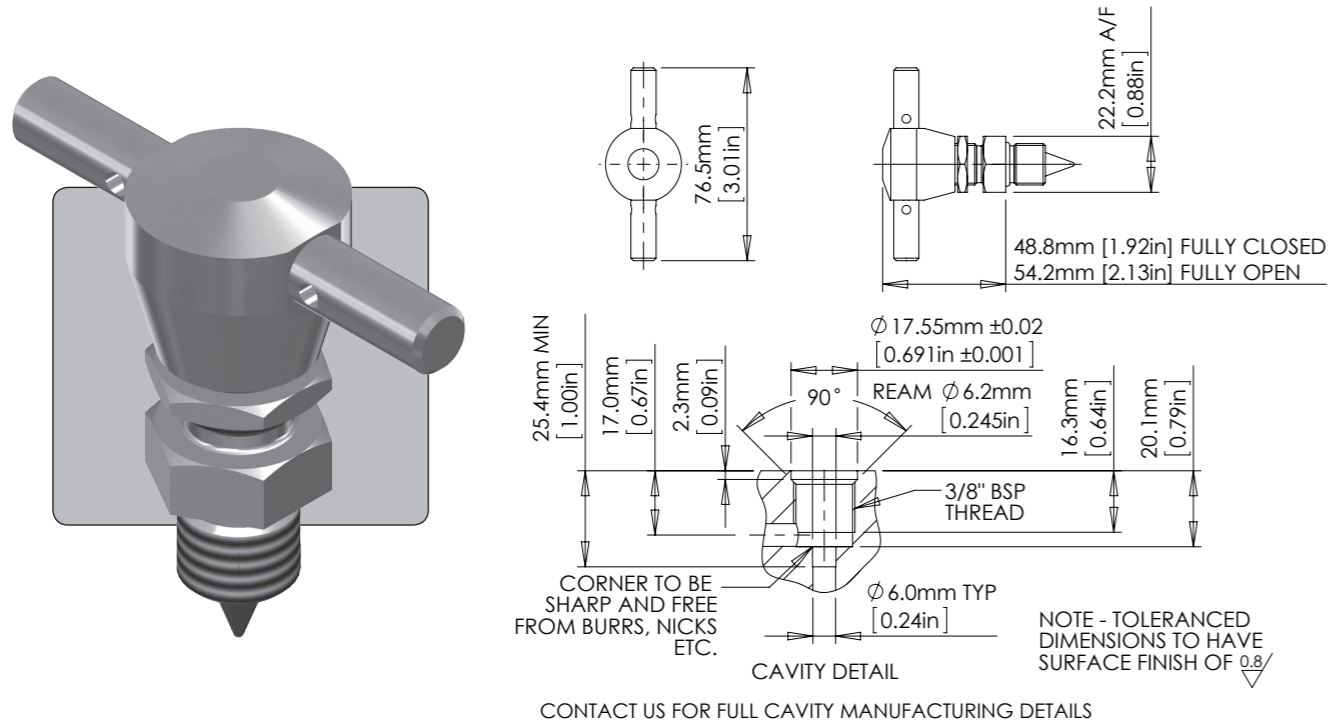
SOLENOID
FLOW CONTROL
3 PORT DIRECTIONAL CONTROL
4 PORT DIRECTIONAL CONTROL
CHECK AND SHUTTLE
PILOT OPERATED CHECK
RELIEF
EXCESS FLOW
FILTERS
PRESSURE SENSING
PUMPS
ACTUATORS
TECHNICAL DATA

BNV25 -TB

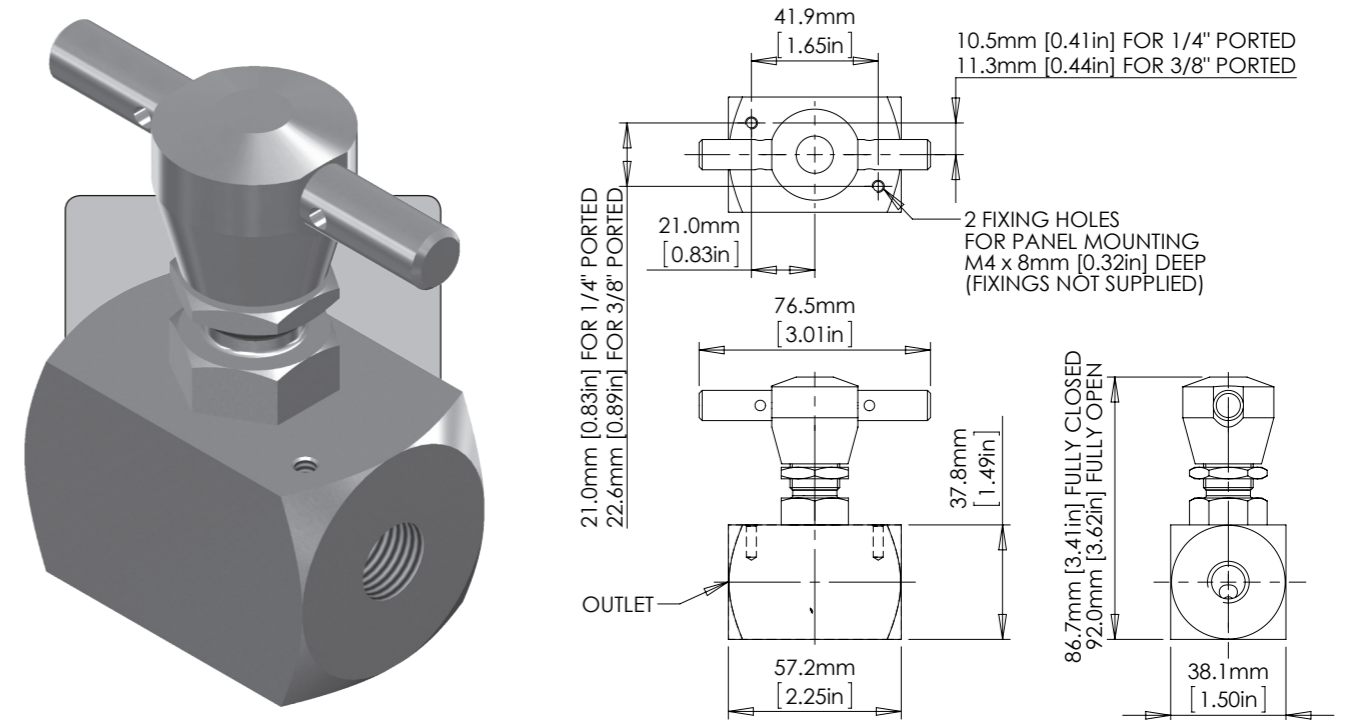
STOP VALVE



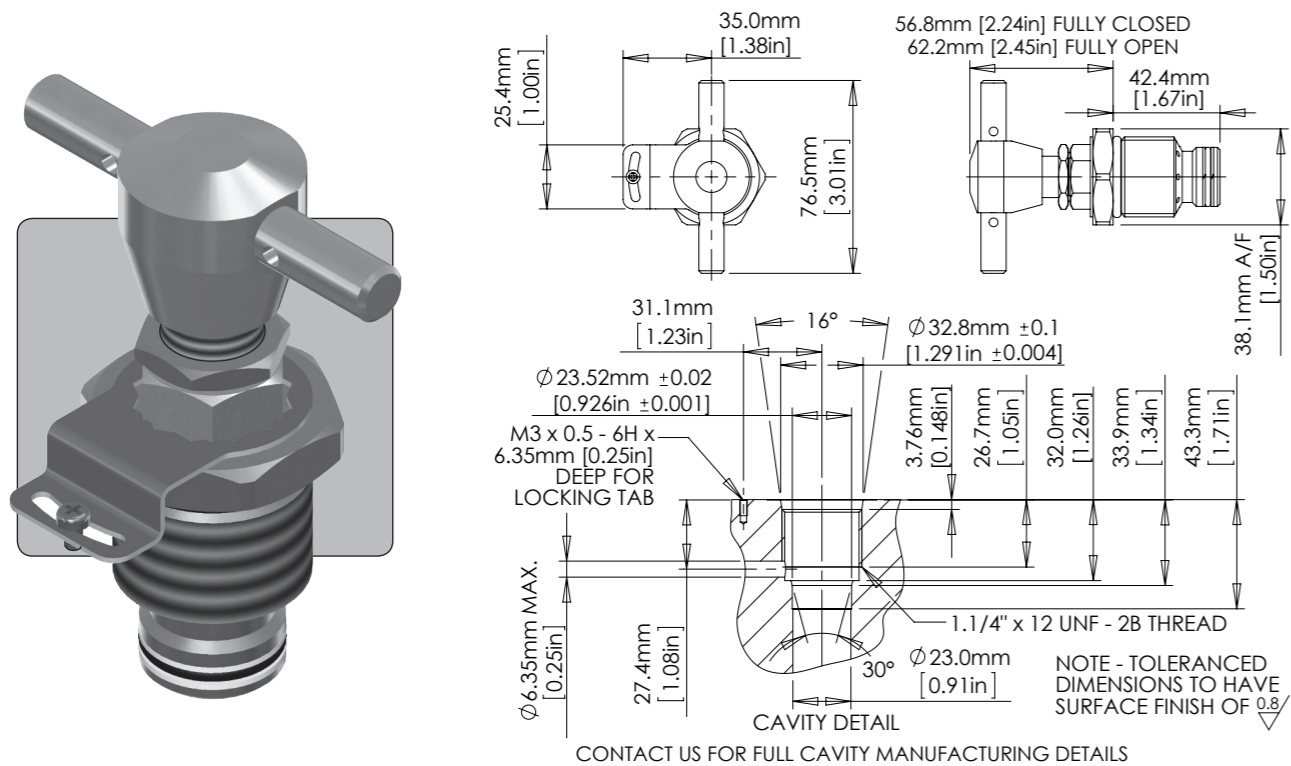
Cartridge Valve



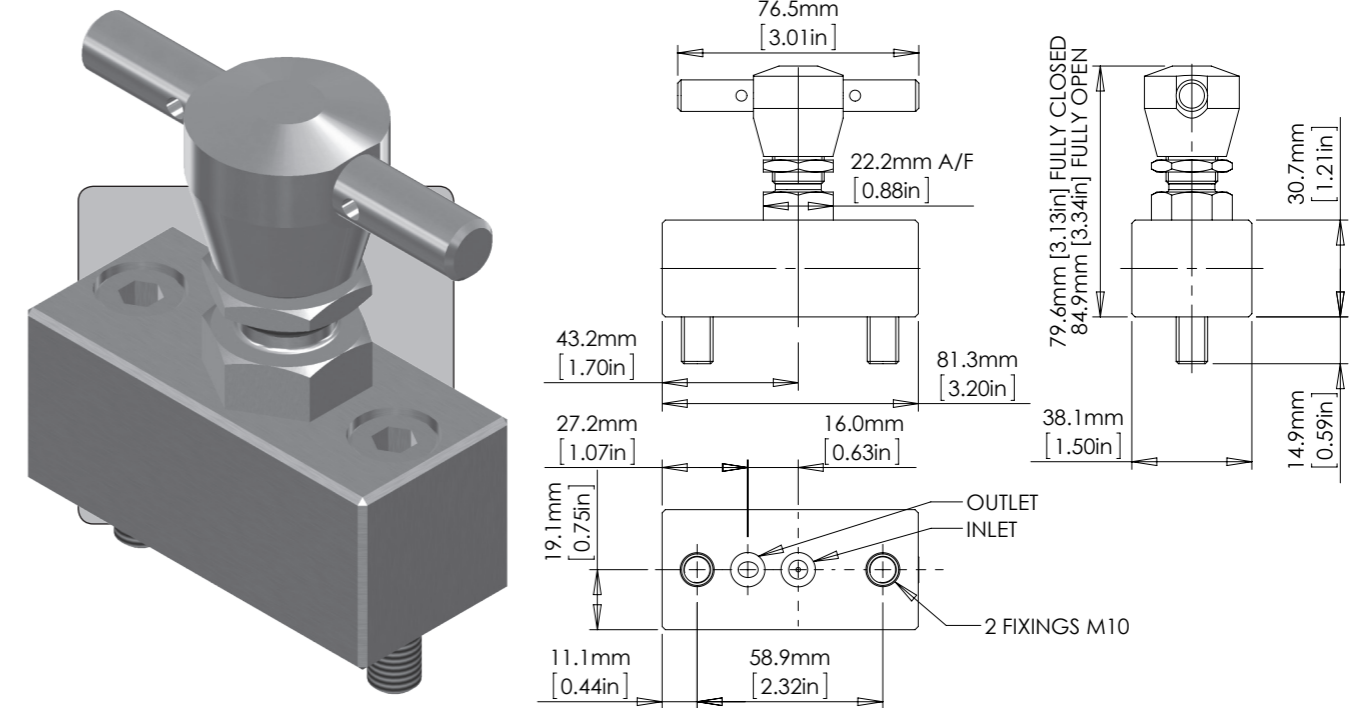
Panel Mounted Valve



Full Cartridge Valve



Manifold Mount Valve



- SOLENOID
- FLOW CONTROL
- 3 PORT DIRECTIONAL CONTROL
- 4 PORT DIRECTIONAL CONTROL
- CHECK AND SHUTTLE
- PILOT OPERATED CHECK
- RELIEF
- EXCESS FLOW
- FILTERS
- PRESSURE SENSING
- PUMPS
- ACTUATORS
- TECHNICAL DATA