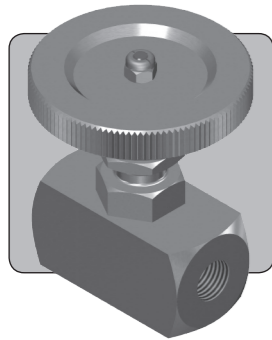


# -BNV25-G-

## STOP VALVE

1/4" 3/8"

UP TO 414 BAR  
6,000 PSI



The BNV25-G is a 1/4" nominal bore stop valve. It provides tight shut-off when closed via the knurled handwheel and is soft seated allowing use with liquid or gas

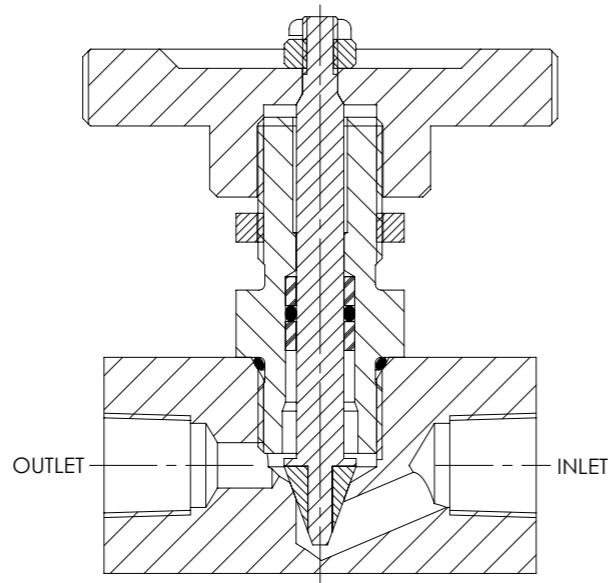
Coarse adjustment allows fast operation. The valve is designed for uni-directional service only.

- Manual stop or shut-off valve for liquid or gas
- Lockable adjustment
- Panel mount option
- Non-rotating valve stem protects valve seat
- Suitable for uni-directional shut-off
- Stainless steel construction
- Suitable for use with air, nitrogen, sweet natural gas, mineral oils and water glycols
- Compatible with many other media, contact us for advice
- Subsea variant available, contact us for advice
- Various porting options available, including manifold mount and cartridge installation options
- Various seal options available

### Specifications

<b>BASIC MODEL NUMBER</b>	<b>BNV25-G</b>
<b>SYMBOL</b>	
<b>MAX WORKING PRESSURE</b>	414 bar (6,000 psi)
<b>CV (FLOW CAPACITY)</b>	Up to 0.52 See performance graph
<b>FLUID</b>	Liquids and Gases See materials section
<b>TEMPERATURE RANGE</b>	See Product Selector opposite and Technical Data section
<b>PORT SIZE</b>	1/4" or 3/8"
<b>WEIGHT</b>	<p><b>PORTED</b> 0.65 kg (1.43 lb)</p> <p><b>C</b> 0.35 kg (0.77 lb)</p> <p><b>FC</b> 0.50 kg (1.10 lb)</p>

Specifications may change without notice



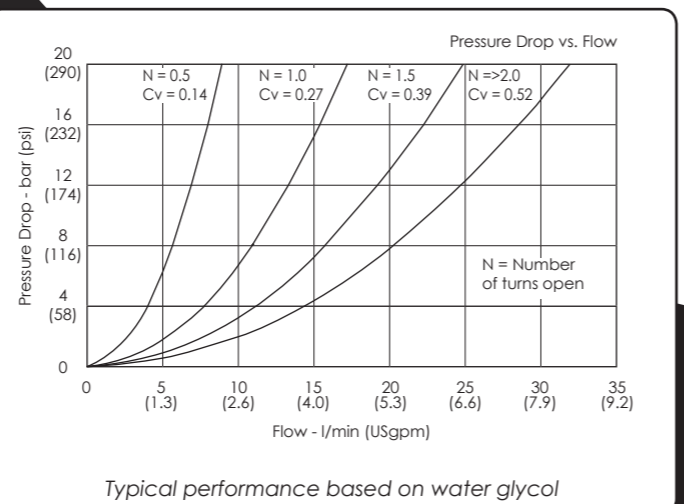
### Materials

Externally Exposed Parts: 316, 431 and other 300 series stainless steels. Electroless nickel plated bolts for the manifold mount version. Internally Wetted Parts: 316 and 431 stainless steel, polyamide-imide, acetal and PTFE.

The standard valve is designed for use with air, nitrogen, sweet natural gas, mineral oil and water glycols, but may be used with a wide variety of media compatible with the materials of construction. Other material options are available, please contact us for advice.

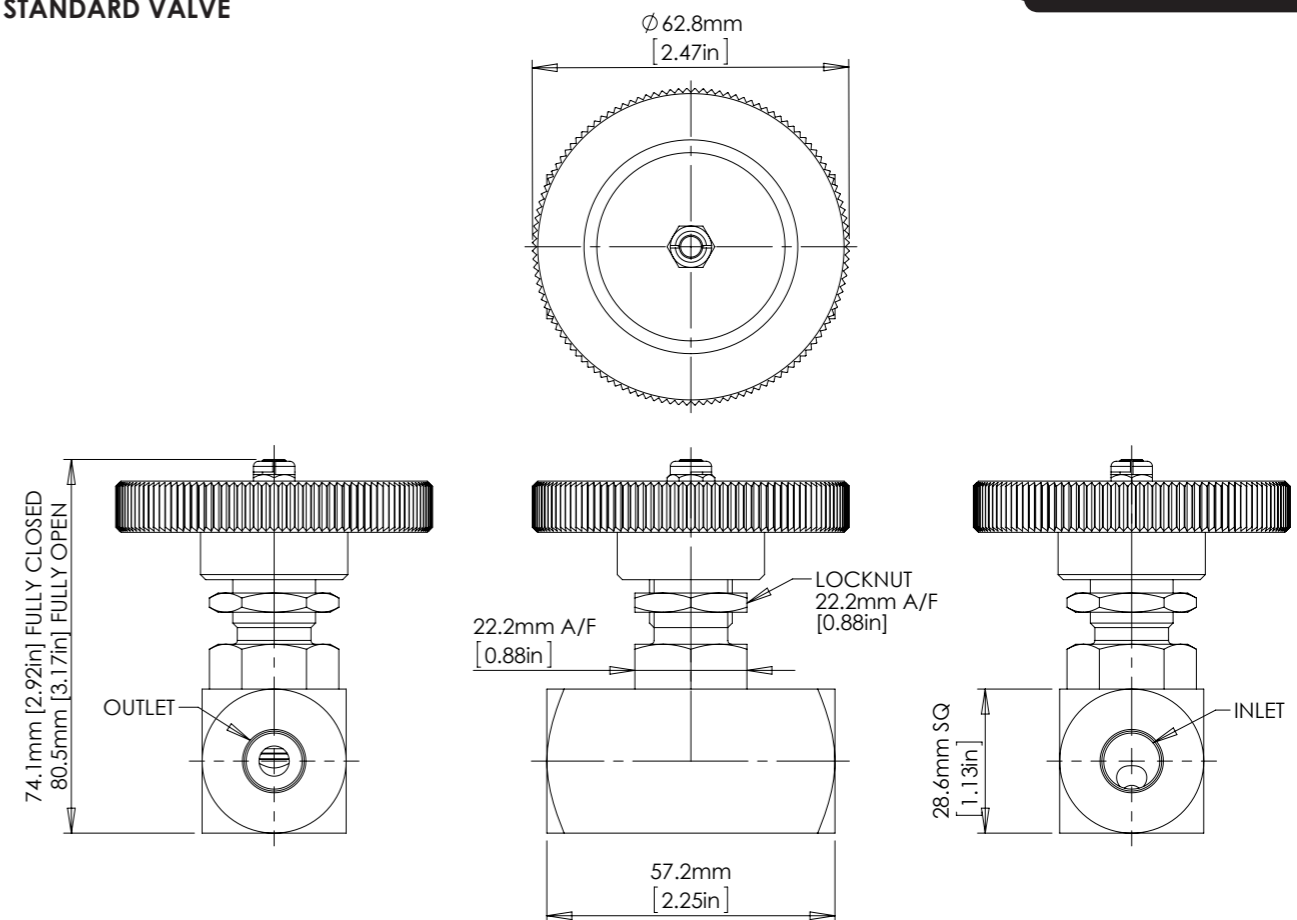
The standard valve has Viton® seals. Further seal options are available via the Product Selector. Compatibility with the working fluid at the operating temperature must be considered.

### Typical Performance



### Installation Diagram

STANDARD VALVE



### Product Selector

BNV25 P - G - PM - NBR - 6K					
VALVE TYPE	PORTING OPTIONS	SEAT TYPE	VALVE OPTIONS	SEAL OPTIONS	MAX WORKING PRESSURE
<b>BNV25</b>	<p><b>P</b> 1/4" BSPP female</p> <p><b>N</b> 1/4" NPT female</p> <p><b>/37P</b> 3/8" BSPP female</p> <p><b>/37N</b> 3/8" NPT female</p> <p><b>M</b> Manifold mount</p> <p><b>C</b> Cartridge style Seat in cavity</p> <p><b>FC</b> Full cartridge Seat in cartridge</p>	<p><b>G</b> Soft seats</p> <p><small>G option must be selected</small></p>	<p><b>PM</b> Panel mounted <small>Not available for manifold or cartridge versions</small></p> <p><small>Leave blank if not required</small></p>	<p><b>NBR</b> Nitrile seals -30°C to +105°C</p> <p><b>EP</b> EPDM seals -45°C to +120°C</p> <p><b>KLZ</b> Kalrez® seals -25°C to +120°C</p> <p><b>HNBR</b> Hydrogenated Nitrile seals -20°C to +120°C</p> <p><small>Further seal options are available on request</small></p> <p> Exposure to high and low fluid temperatures will influence handle temperature. Operator safety must be considered</p>	<p><b>6K</b> 414 bar (6,000 psi)</p> <p><small>Leave blank for Viton® seals -10°C to +120°C</small></p>
<small>Repair and seal kits are available on request</small>					
<small>For a seal kit add SK at the end of the model code and for a repair kit add RK</small>					

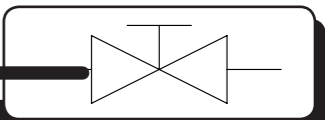


Catalogue also available on digital media  
Visit our website for a full online search facility  
[www.bisvalves.co.uk](http://www.bisvalves.co.uk)

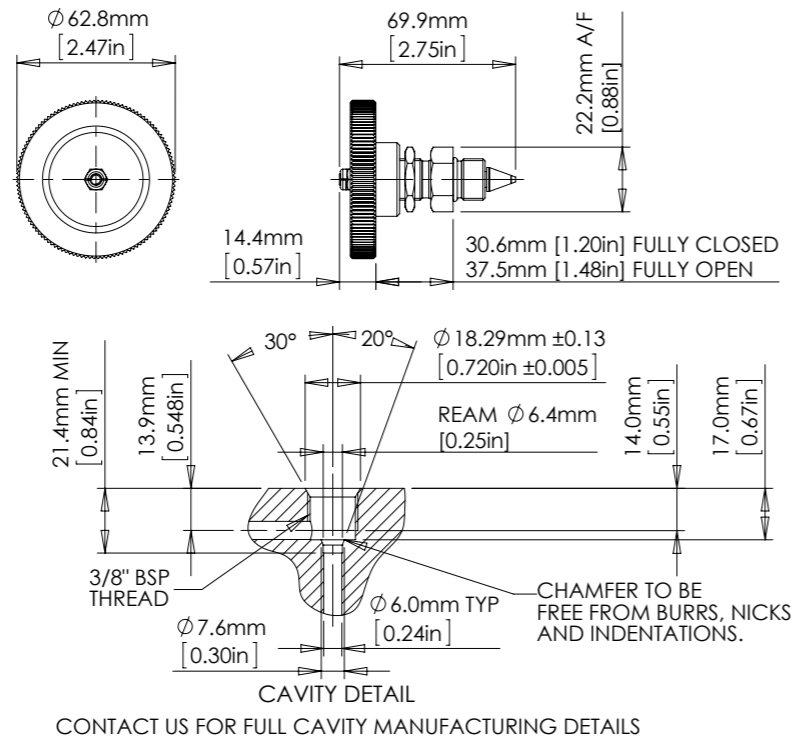
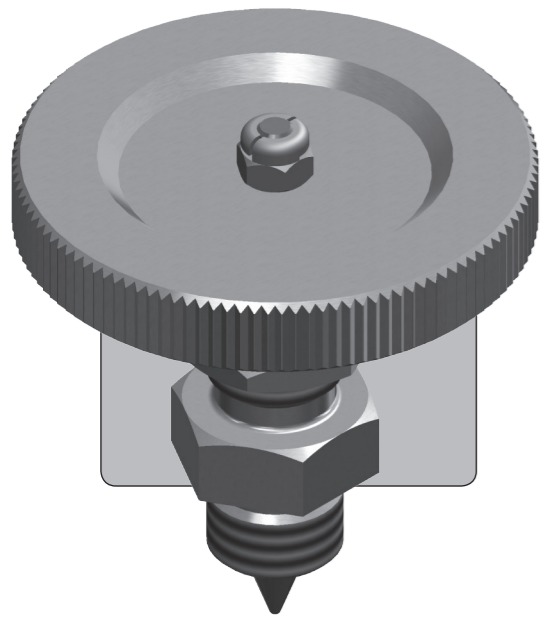
SOLENOID  
FLOW CONTROL  
3 PORT DIRECTIONAL CONTROL  
4 PORT DIRECTIONAL CONTROL  
CHECK AND SHUTTLE  
PILOT OPERATED CHECK  
RELIEF  
EXCESS FLOW  
FILTERS  
PRESSURE SENSING  
PUMPS  
ACTUATORS  
TECHNICAL DATA

# BNV25 -G

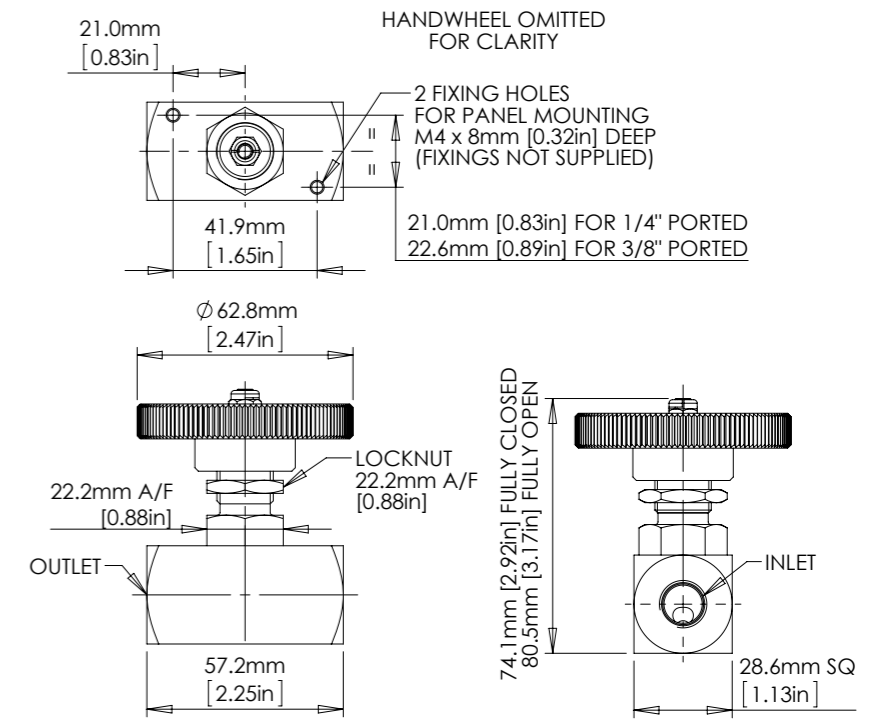
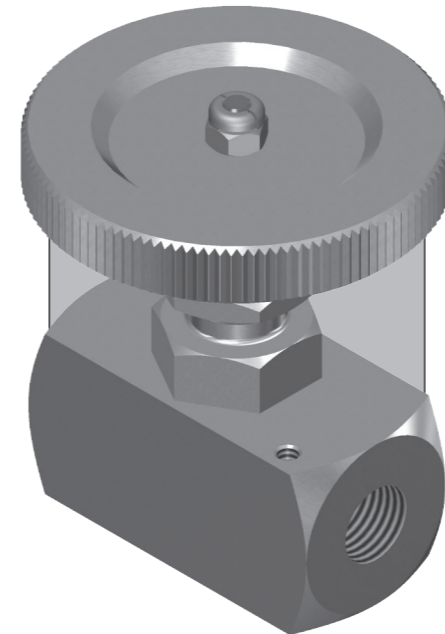
## STOP VALVE



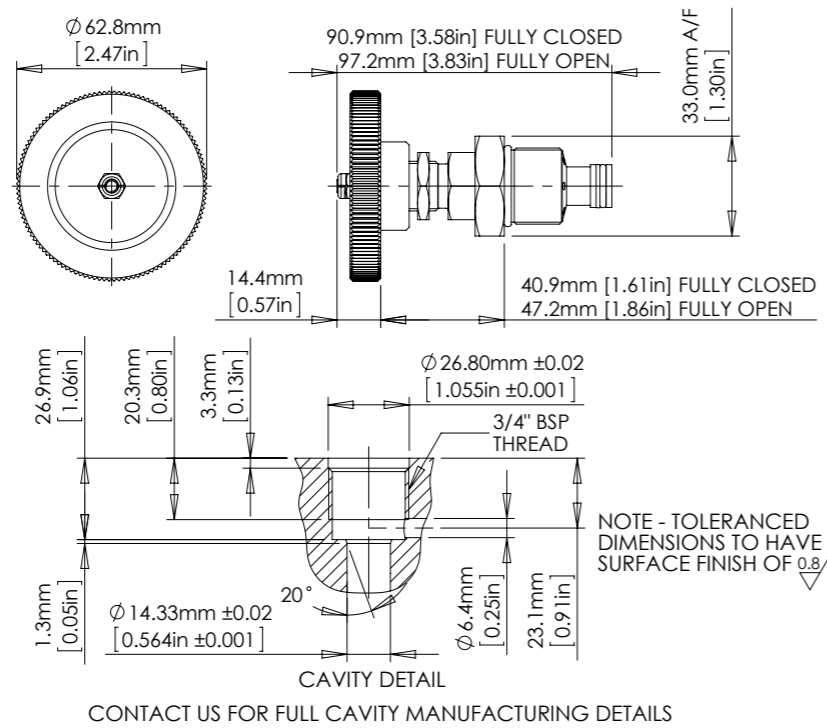
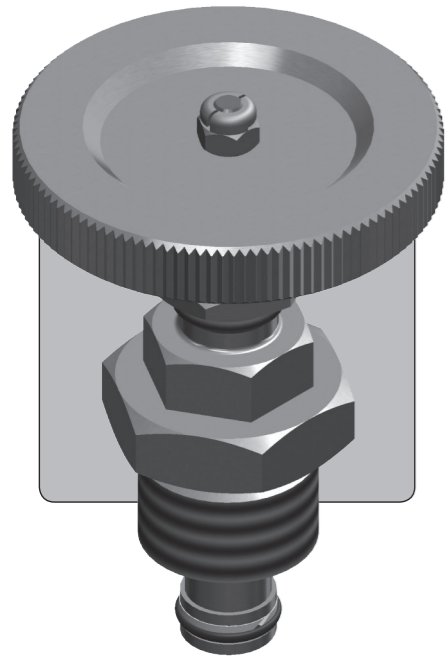
### Cartridge Valve



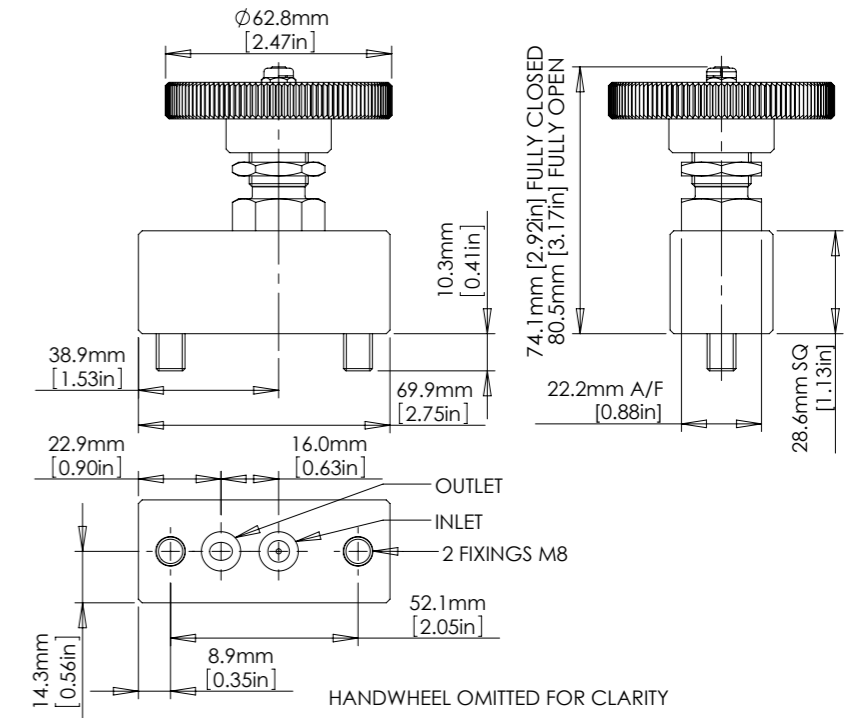
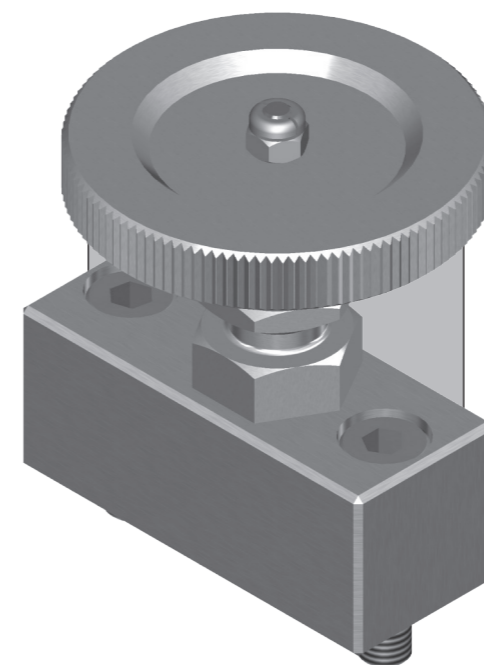
### Panel Mounted Valve



### Full Cartridge Valve



### Manifold Mount Valve



SOLENOID  
FLOW CONTROL  
3 PORT DIRECTIONAL CONTROL  
4 PORT DIRECTIONAL CONTROL  
CHECK AND SHUTTLE  
PILOT OPERATED CHECK  
RELIEF  
EXCESS FLOW  
FILTERS  
PRESSURE SENSING  
PUMPS  
ACTUATORS  
TECHNICAL DATA